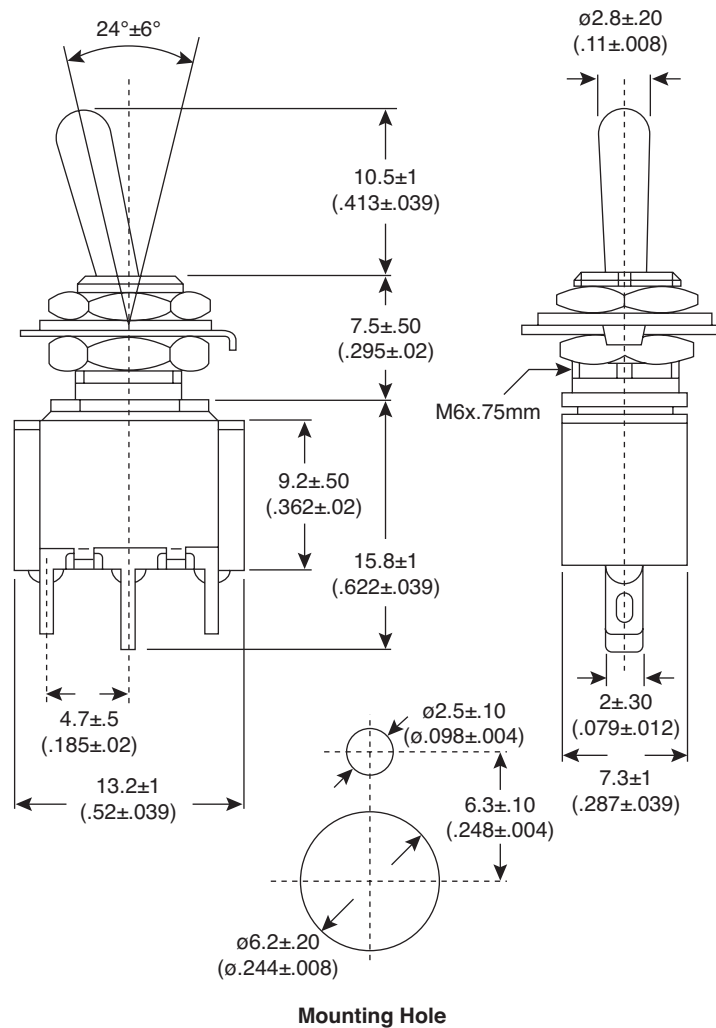


DIMENSIONS: mm (in.)



Electrical Specifications:

- Rating: 6A/125VAC, 3A/250VAC
- Contact resistance: 50m Ω max
- Insulation resistance: 100M Ω min. 500VDC
- Dielectric strength: 1000VAC 1 min

Mechanical Specifications:

- Operating temperature: -20°C to $+68^{\circ}\text{C}$
- Circuit: 3P SPDT On-Off-On

Note:

- RoHS Compliant by Exemption

Miniature Toggle Switch
108-TA1135B-EVX

